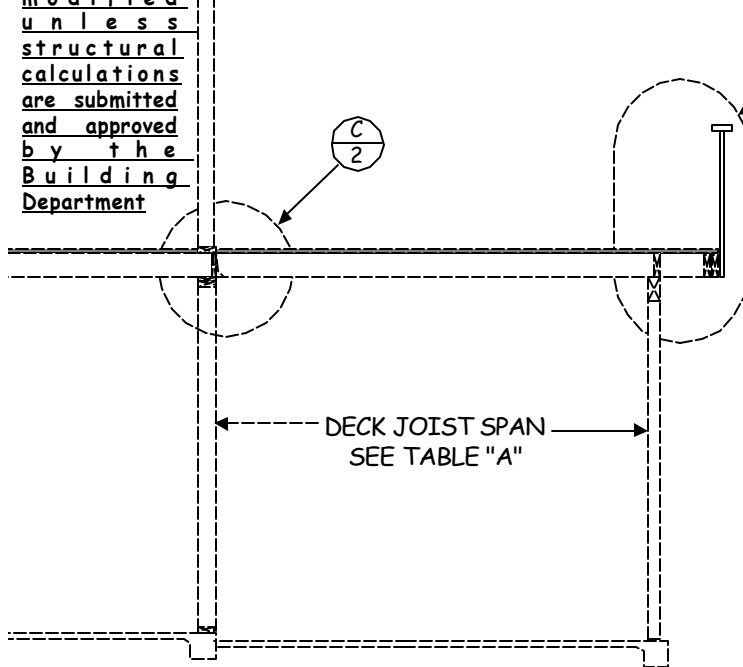
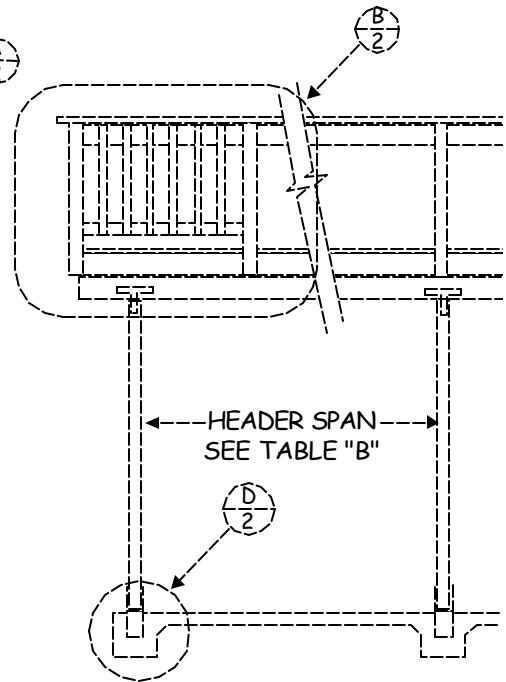


1. All lumber shall be DF #2 grade or better (unless otherwise noted).
2. Ledger fasteners shall be 1/4" x 3" long Simpson SDS screws.
Screws are to be staggered. (Table C)
3. Ledgers are to be a minimum of 2 x 10 nominal size (2 x 12 for 2 x 12 joist).
4. Footing size based on allowable soil pressure of 1000 psf.

shear walls may not be modified unless structural calculations are submitted and approved by the Building Department



SIDE VIEW SECTION




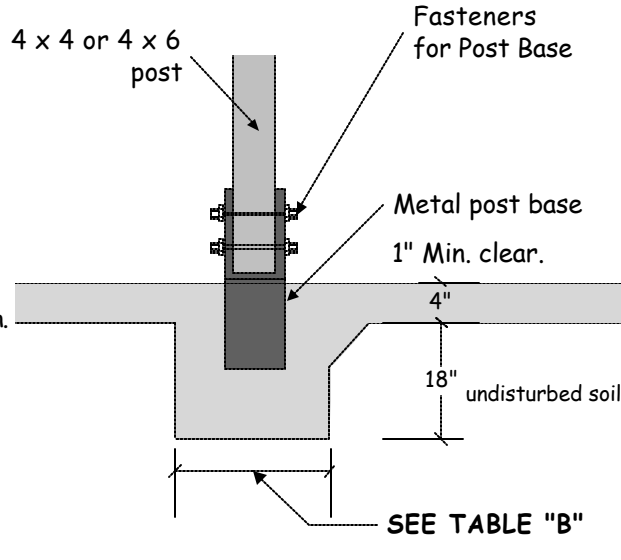
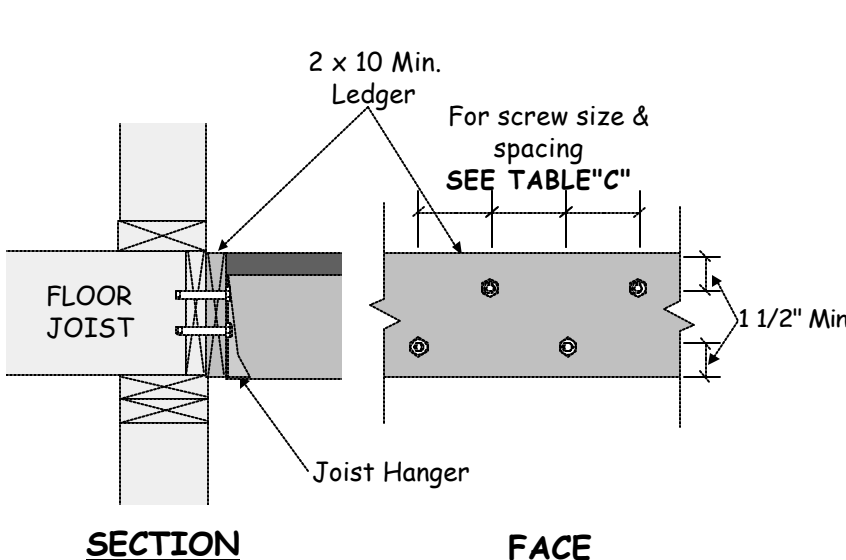
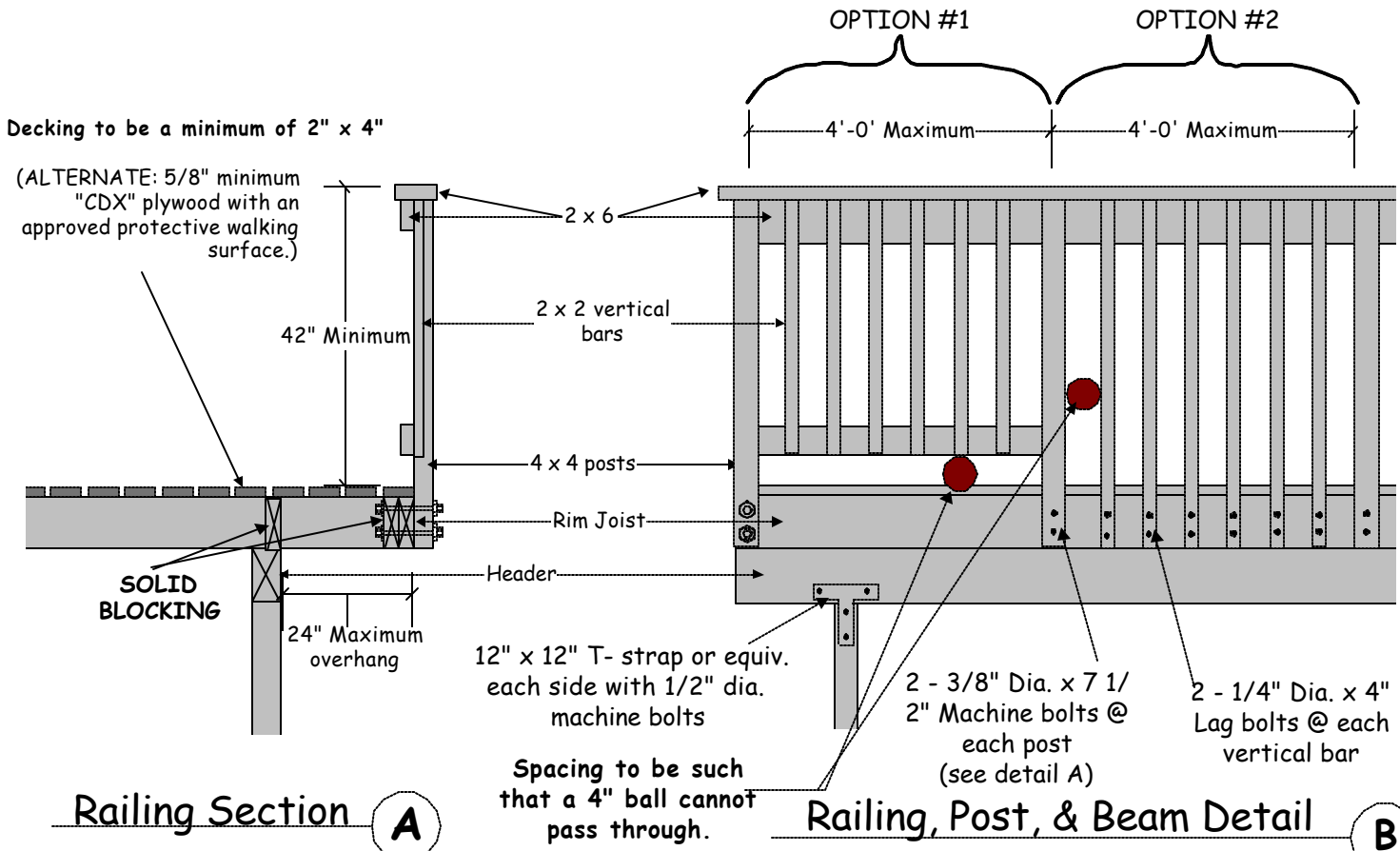
FRONT VIEW ELEVATION

TABLE "A"		
DECK JOIST SPAN		
SIZE	SPACING	SPAN
2 x 6	12" o.c.	10' - 9"
	16" o.c.	9' - 9"
	24" o.c.	8' - 1"
2 x 8	12" o.c.	14' - 2"
	16" o.c.	12' - 7"
	24" o.c.	10' - 3"
2 x 10	16" o.c.	15' - 5"
	24" o.c.	12' - 7"
2 x 12	24" o.c.	14' - 7"
4 x 6	12" o.c.	14' - 2"
	16" o.c.	12' - 11"
	24" o.c.	11' - 3"
4 x 8	24" o.c.	14' - 10"
4 x 10	32" o.c.	16' - 4"

TABLE "B"			
IF JOIST SPAN IS....	AND HEADER SPAN IS...	THEN THE MINIMUM HEADER SIZE IS:	AND THE MINIMUM FOOTING SIZE IS:
Up to 16'	Up to 6'	4 x 8	21" sq. x 18" deep
Up to 8'	Up to 8'	4 x 8	19" sq. x 18" deep
Up to 16'	Up to 8'	4 x 10	25" sq. x 18" deep
Up to 8'	Up to 10'	4 x 10	22" sq. x 18" deep
Up to 14'	Up to 10'	4 x 12	26" sq. x 18" deep
Up to 10'	Up to 12'	6 x 10 DF#1	26" sq. x 18" deep
Up to 12'	Up to 14'	6 x 12 DF#1	29" sq. x 18" deep

TABLE "C"	
IF JOIST SPAN IS....	THEN SCREW SPACING IS ...
Up to 8'	16" o.c.
Up to 10'	12" o.c.
Up to 12'	10" o.c.
Up to 14'	9" o.c.
Up to 16'	8" o.c.

	Building Division		
	Residential Balcony/Deck Standard		
(209) 937-8561	345 N El Dorado St., Stockton CA 95202		
Fax (209) 937-8893	12/10/2012		1 OF 4

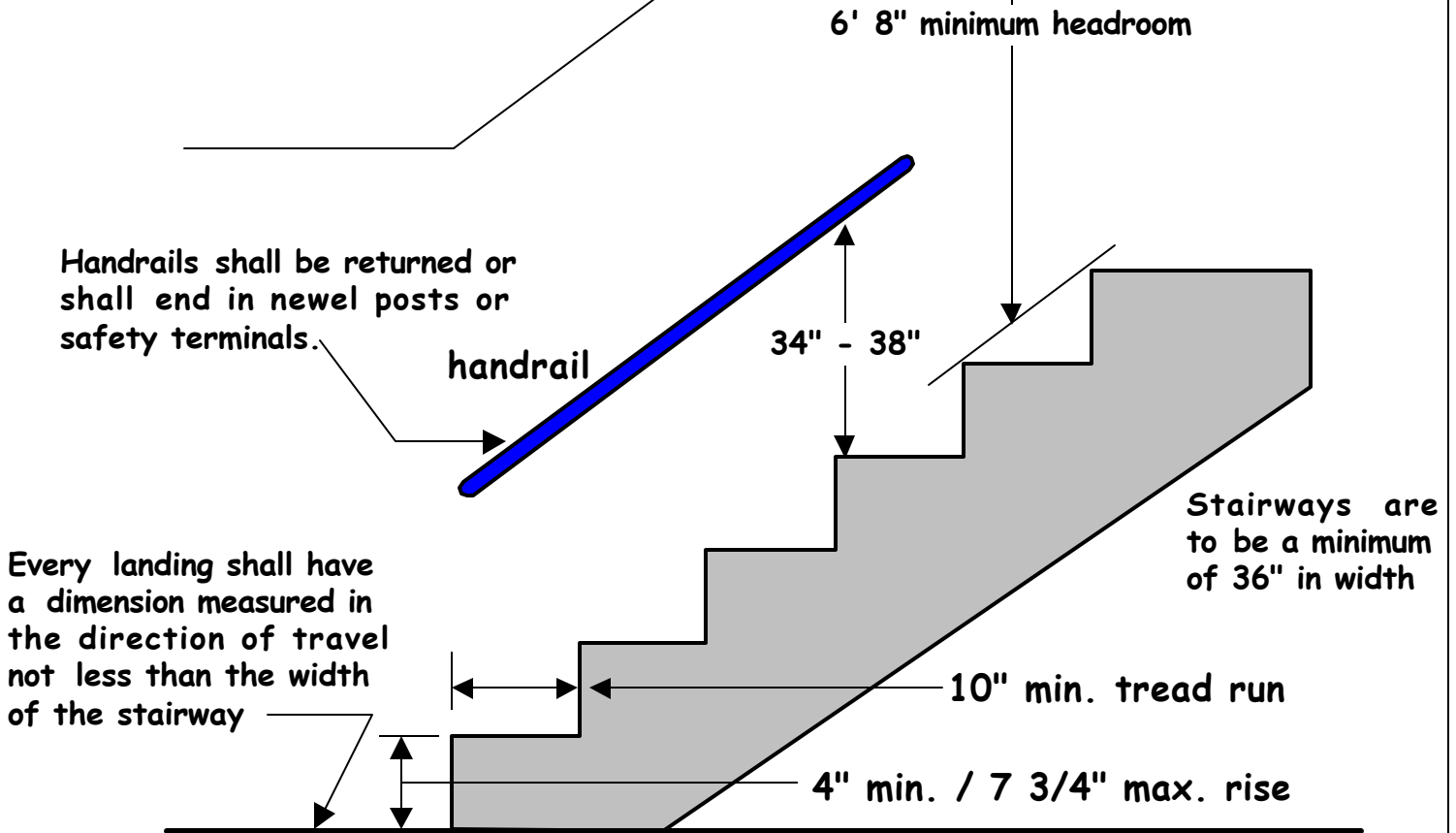


This deck connection detail is based on the assumption that a minimum 1-1/2" wide rim joist is adequately installed at all edges of the 2nd floor diaphragm. If any other material is used, such as TJI joists, a special engineered design will be required. It is the owner's responsibility to verify the presence of the appropriate rim joist.

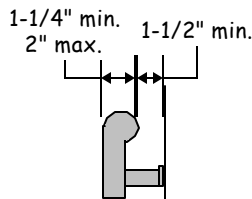
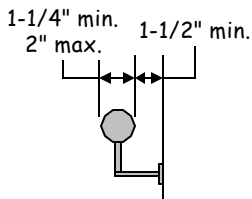
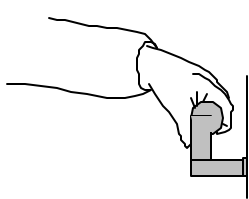
Ledger Detail C

	Building Division		
	Residential Balcony/Deck Standard		
(209) 937-8561	345 N El Dorado St., Stockton CA 95202		
Fax (209) 937-8893	12/10/2012		2 OF 4

IMPORTANT NOTE: The largest tread run & the largest riser height within any flight of stairs, MAY NOT exceed the smallest (respectively) by more than 3/8".

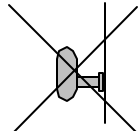
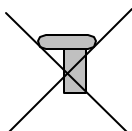


Private (balcony) stairways




NOTE: Other shapes may be acceptable if they provide an equivalent gripping surface.

HANDRAIL DETAILS



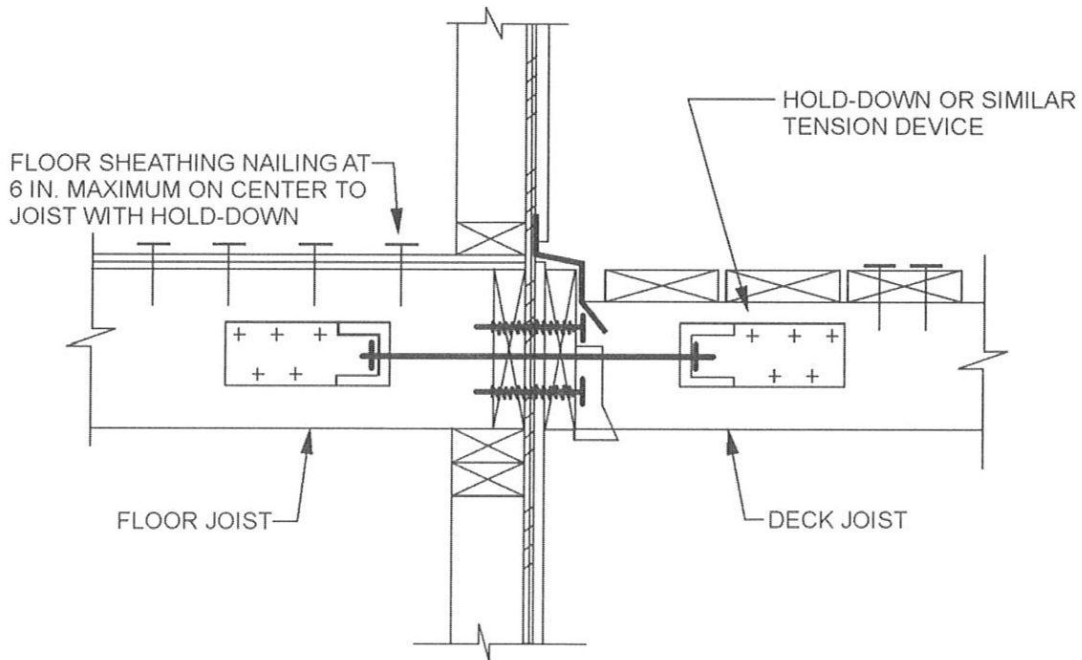
These designs are not acceptable

	Building Division		
	Residential Balcony/Deck Standard		
(209) 937-8561	345 N El Dorado St., Stockton CA 95202		
Fax (209) 937-8893	12/10/2012		3 OF 4

Lateral Load Connection Required Per Sec. R507.2.3 CRC


This deck detail is based on the assumption that the floor framing consist of 2x joists framing into the wall. If the framing is parallel to the wall or another material is used, such as TJI or open web trusses, this detail is not appropriate and an engineered design may be required.

Hold-down tension device shall be installed in not less than 2 locations per deck, and each device shall have an allowable stress not less than 1500 pounds.



For SI: 1 inch = 25.4 mm.

**FIGURE 507.2.3
DECK ATTACHMENT FOR LATERAL LOADS**

	Building Division		
	Residential Balcony/Deck Standard		
(209) 937-8561	345 N El Dorado St., Stockton CA 95202		
Fax (209) 937-8893	11/17/2014		4 OF 4