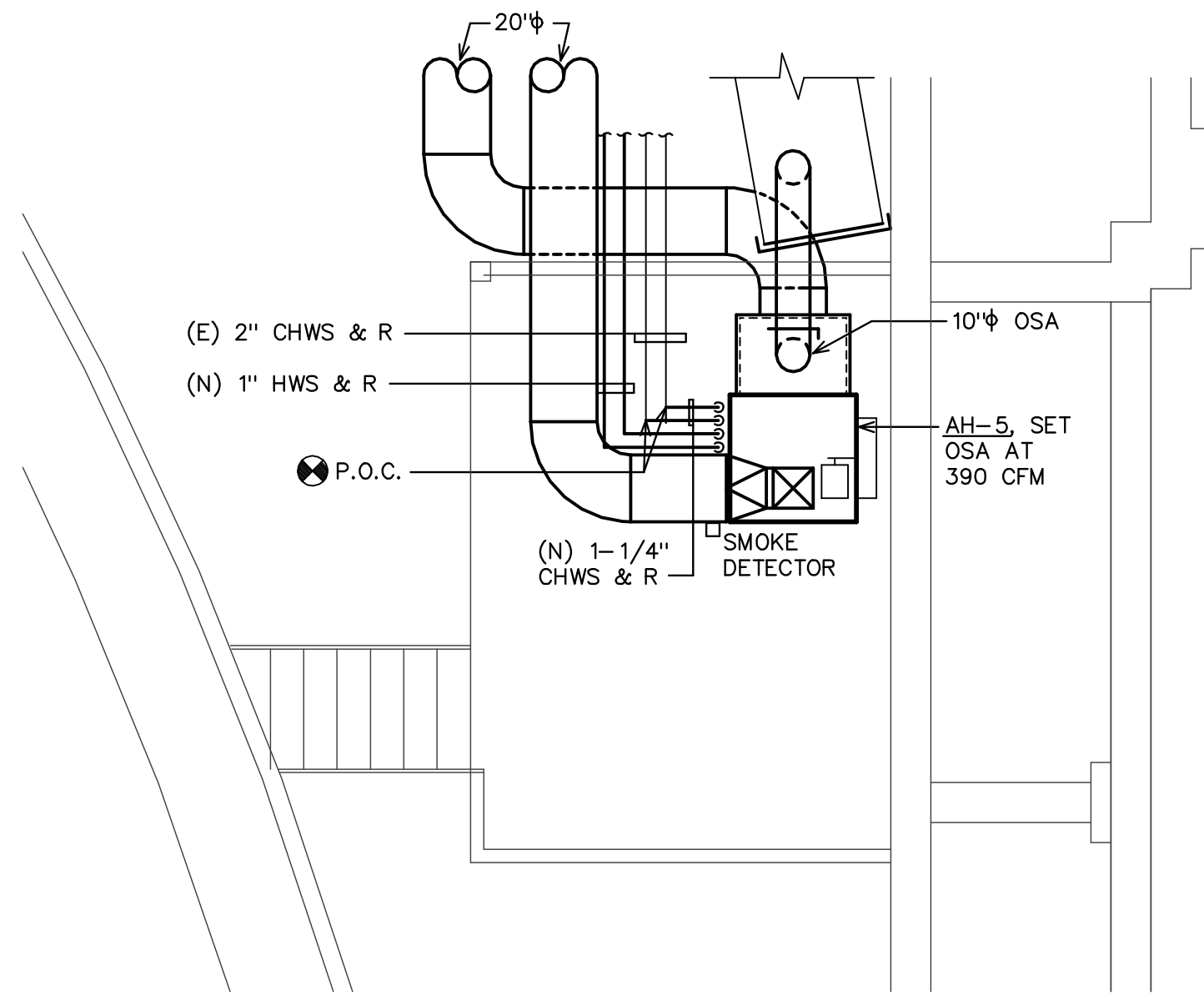


EXISTING/DEMOLITION

DETAIL

SCALE: 1/4" = 1'-0"

1
M-9

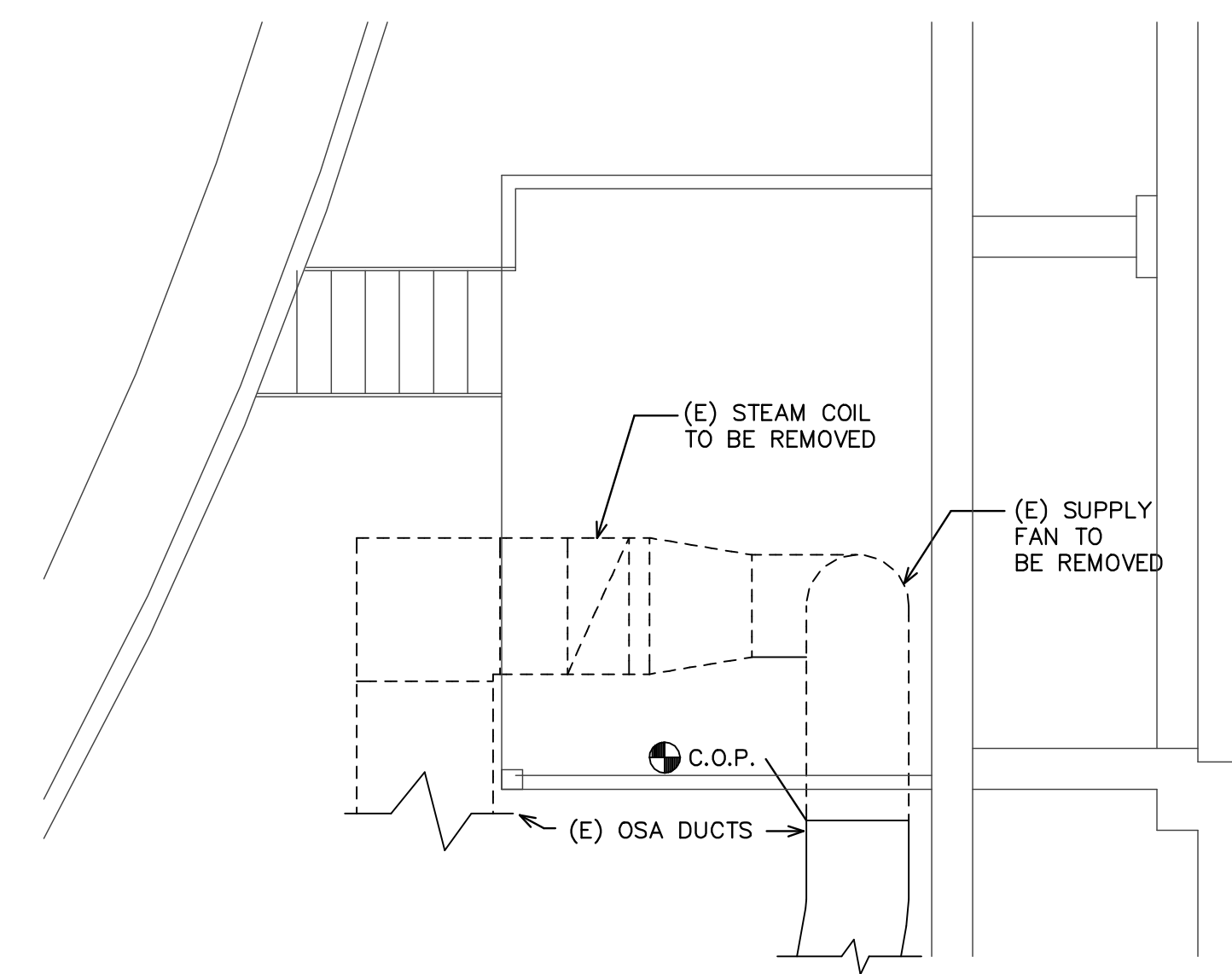


REVISED/NEW

DETAIL

SCALE: 1/4" = 1'-0"

2
M-9

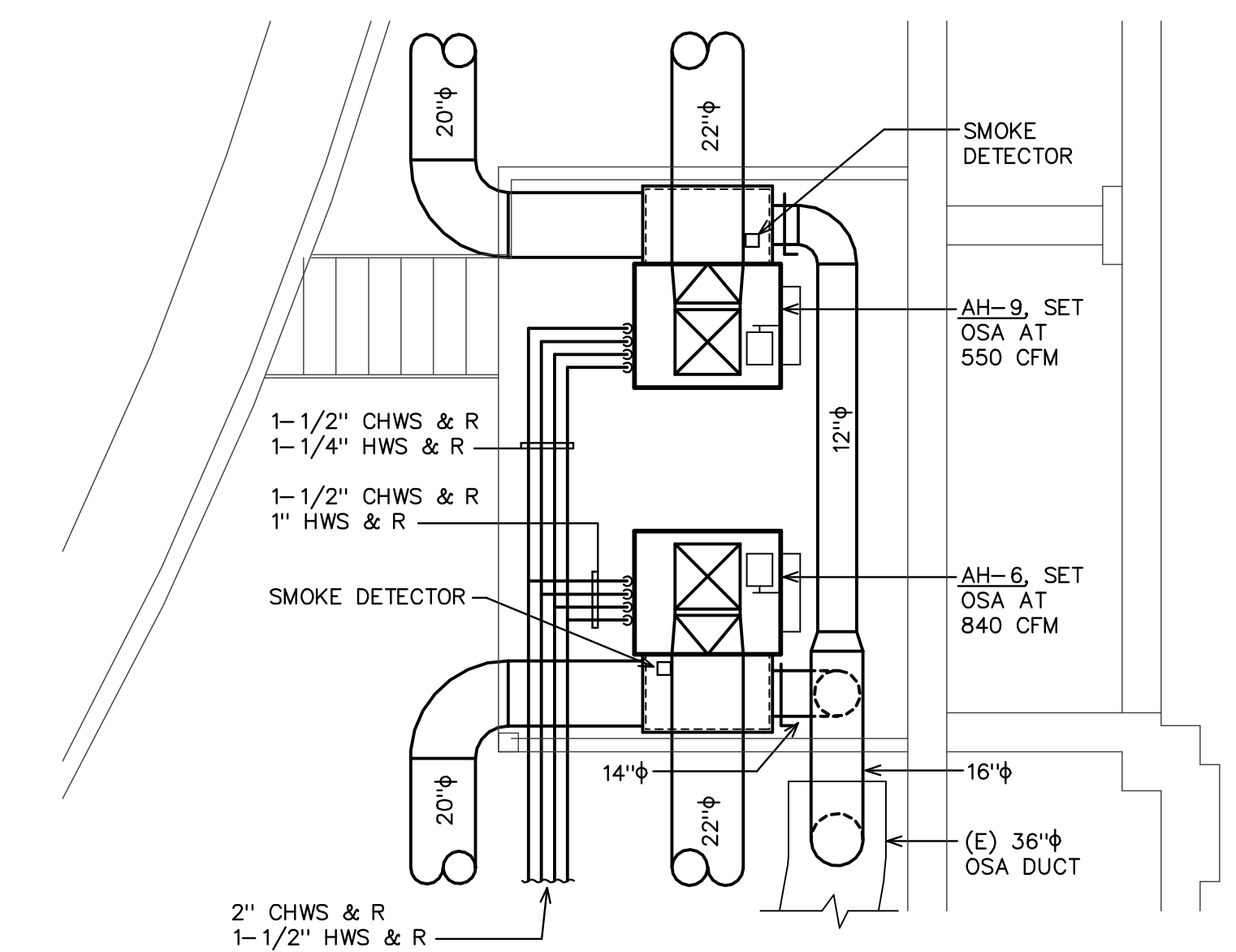


EXISTING/DEMOLITION

DETAIL

SCALE: 1/4" = 1'-0"

3
M-9

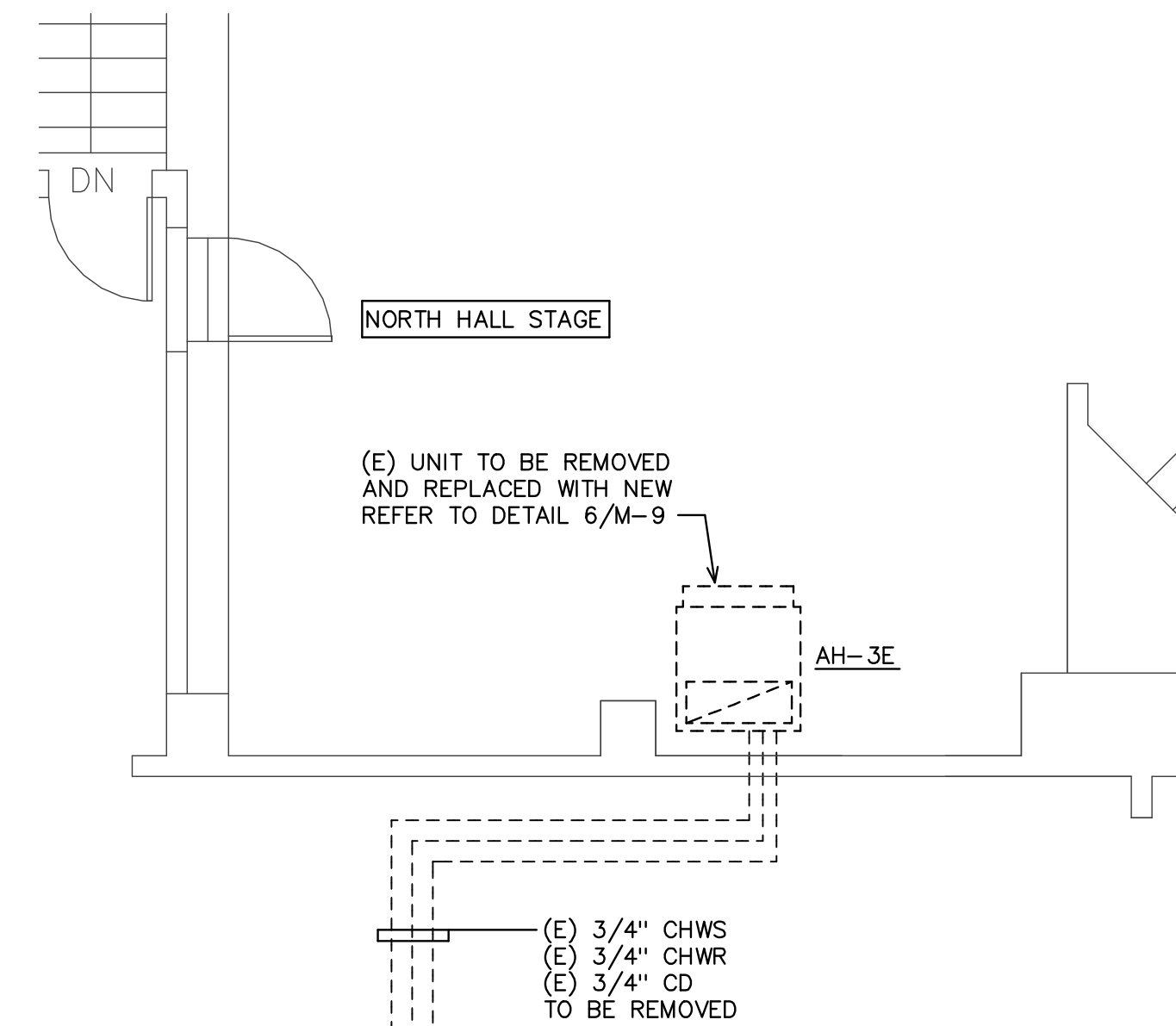


REVISED/NEW

DETAIL

SCALE: 1/4" = 1'-0"

4
M-9

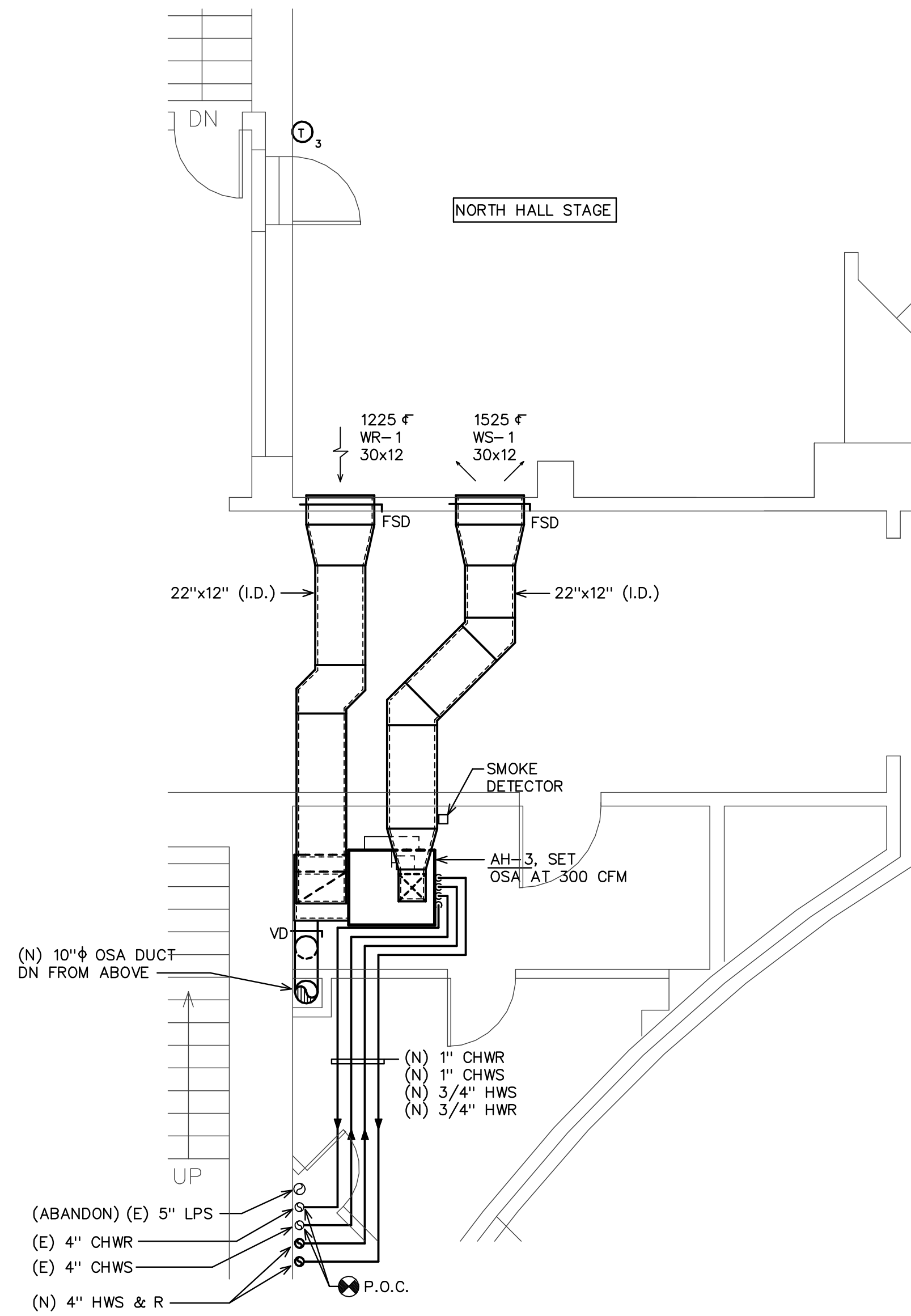


EXISTING/DEMOLITION

DETAIL

SCALE: 1/4" = 1'-0"

5
M-9

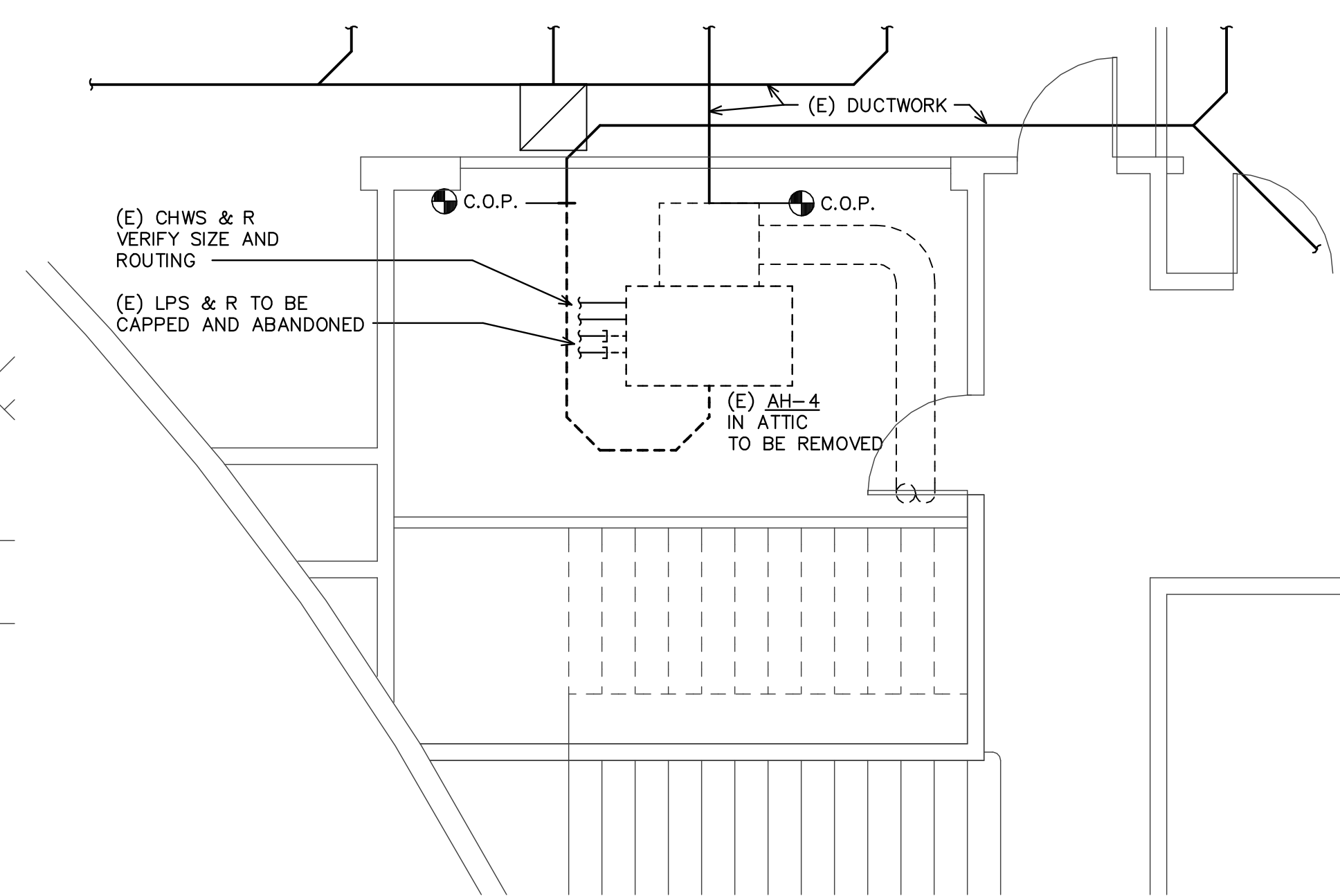


REVISED/NEW

DETAIL

SCALE: 1/4" = 1'-0"

6
M-9

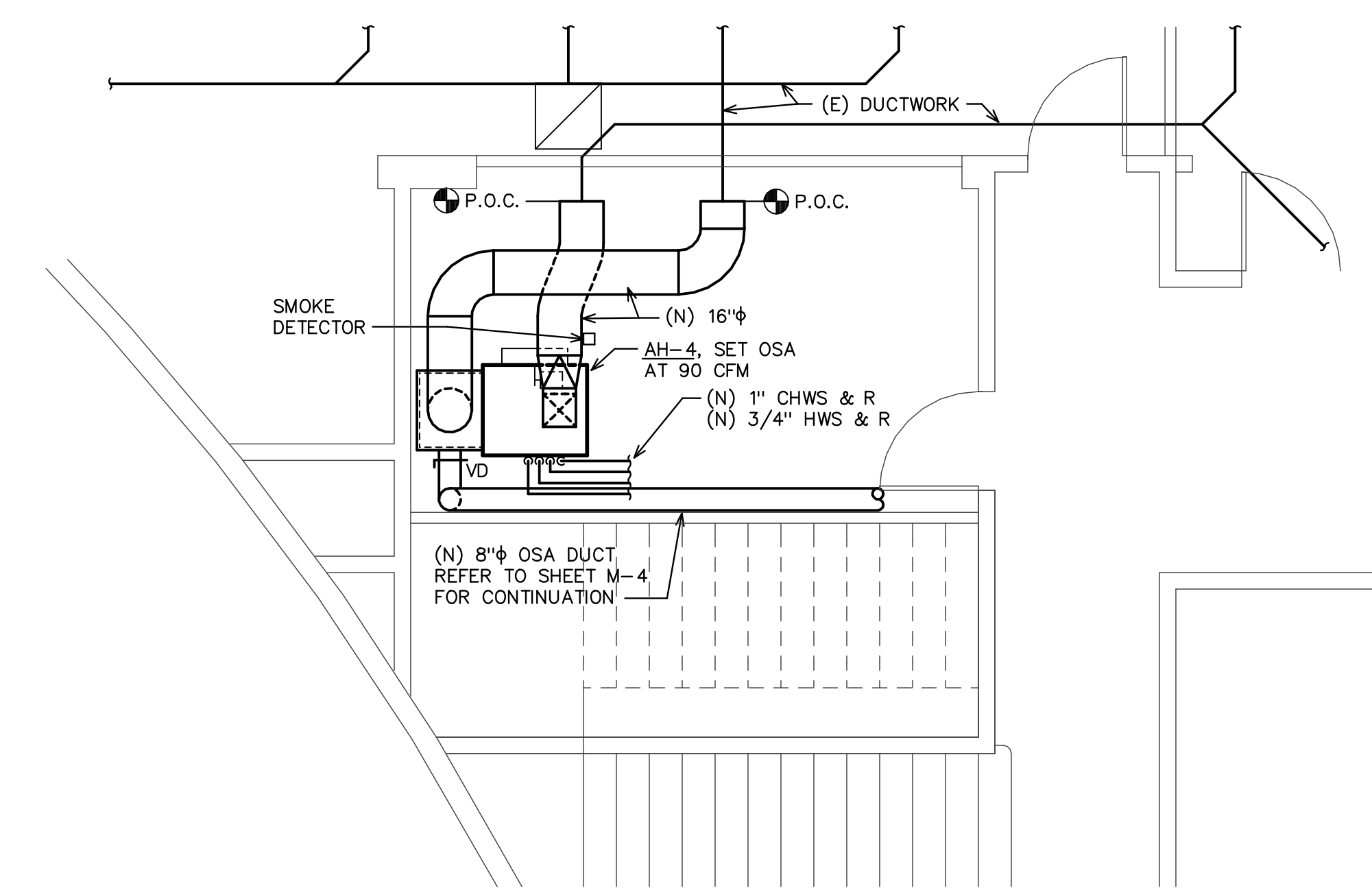


EXISTING/DEMOLITION

DETAIL

SCALE: 1/4" = 1'-0"

7
M-9



REVISED/NEW

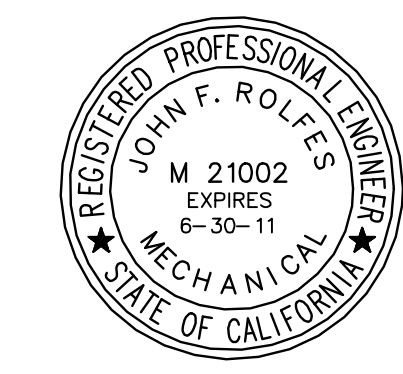
DETAIL

SCALE: 1/4" = 1'-0"

8
M-9

PLOT DATE: 08-04-09

CONFIDENTIALITY STATEMENT:
The information, plans, designs and arrangements shown on this drawing are confidential and may not be reproduced in whole or in part without express written permission of Rolfe Engineering, Inc.



ROLFE ENGINEERING, INC.
1036 W. ROBINHOOD DRIVE, SUITE 201
STOCKTON, CALIFORNIA 95207
(209) 473-2859 FAX (209) 473-1312
CALIF. P.E. #21002
Copyright © 2009 Rolfe Engineering, Inc.

MEMORIAL CIVIC AUDITORIUM
A/C BALCONY FLOOR PLAN

PERMIT #09-2517

REV. NO.	DESCRIPTION	DATE	BY	APRVD.	CITY OF STOCKTON
BID SET		8/27/09			
	SCALE:			APPROVED BY: DATE:	SHEET NO.
	DESIGNED BY: J.F.R.				M-9
	DRAWN BY: DAN				OF SHEETS
	CHECKED BY: J.F.R.			CITY ENGINEER	PROJECT NO.
	RECORD DWG:			STOCKTON, CALIFORNIA	09-070