

CONDENSER/CHILLED WATER CONTROL SYSTEM

DIAGRAM 1
NO SCALE

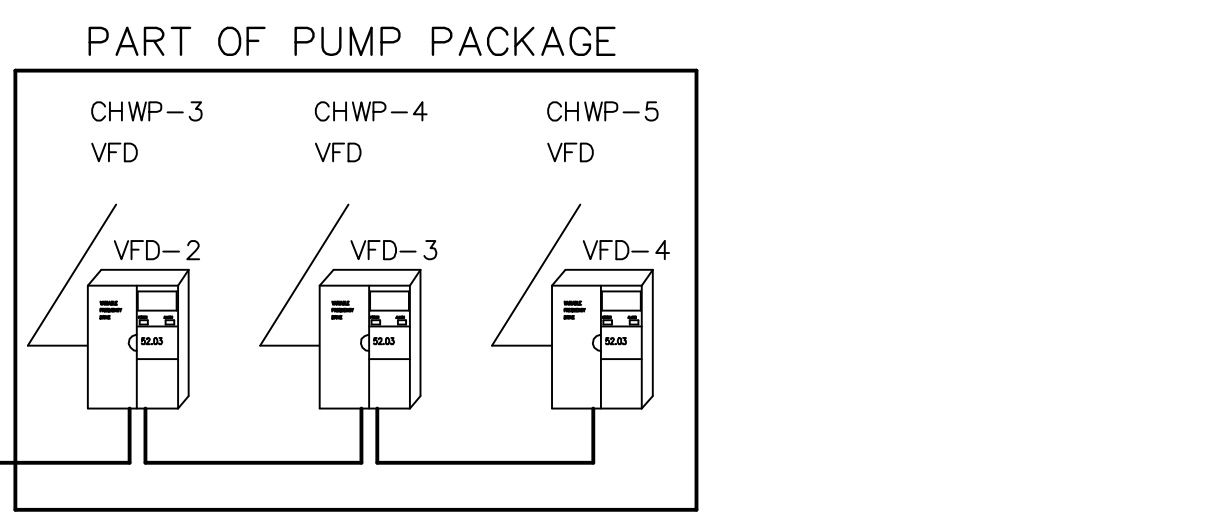
CT-1, CH-1, B-1, HX-1	CH/HX
DATE	
START TIME	
O.A. TEMPERATURE (DB/DP)	
CT-1 FAN (%)	
OA DAMPER (OPEN, MIN, CLOSED)	
HW	
CW	
HW SUPPLY TEMPERATURE (DEG. F)	
HW RETURN TEMPERATURE (DEG. F)	
CHW SUPPLY TEMPERATURE (DEG. F)	
CHW RETURN TEMPERATURE (DEG. F)	
CW SUPPLY TEMPERATURE (DEG. F)	
CW RETURN TEMPERATURE (DEG. F)	
TEMPERATURE SET POINT	
RECORD THE ABOVE EVERY FIFTEEN MINUTES	
SYSTEM OFF (TIME)	

THE ABOVE IS DISPLAYED/PRINTED BY SELECTING:
UNIT NO. OR SYSTEM NO.

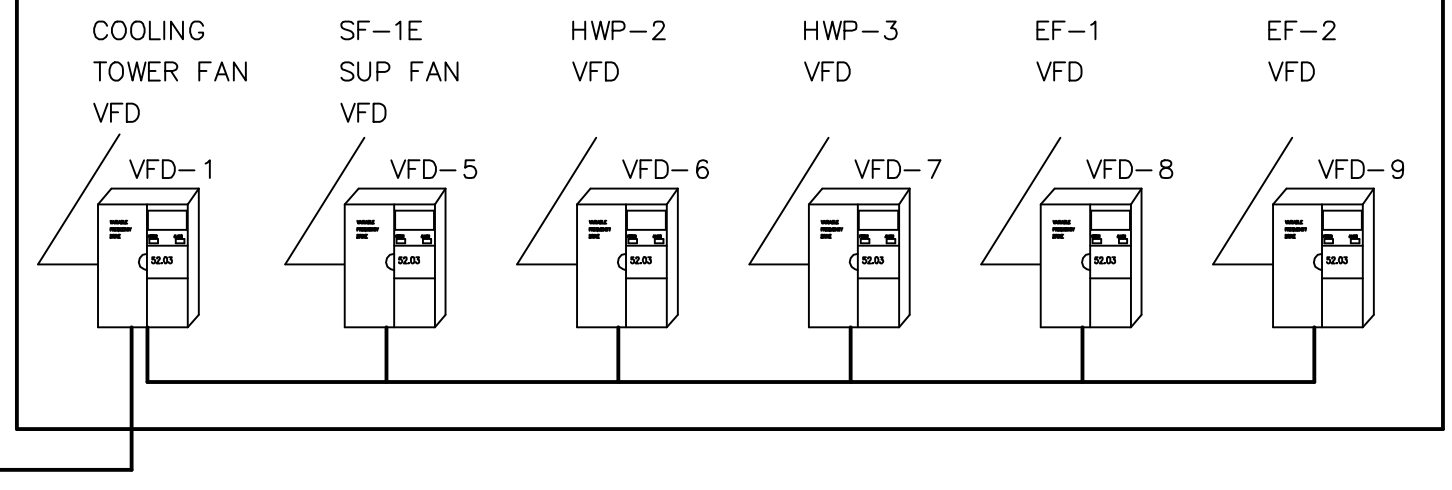
EMS REQUIRED DATA

DATE	SF-1E
START TIME	CH/HX
O.A. TEMPERATURE (DB/DP)	
CT-1 FAN (%)	
OA DAMPER (OPEN, MIN, CLOSED)	
HW	
CW	
HW SUPPLY TEMPERATURE (DEG. F)	
HW RETURN TEMPERATURE (DEG. F)	
CHW SUPPLY TEMPERATURE (DEG. F)	
CHW RETURN TEMPERATURE (DEG. F)	
CW SUPPLY TEMPERATURE (DEG. F)	
CW RETURN TEMPERATURE (DEG. F)	
TEMPERATURE SET POINT	
RECORD THE ABOVE EVERY FIFTEEN MINUTES	
(ADJUSTABLE)	
SYSTEM OFF (TIME)	

THE ABOVE IS DISPLAYED/PRINTED BY SELECTING:
DATA TIME START-END PRINT
UNIT NO. OR SYSTEM NO.



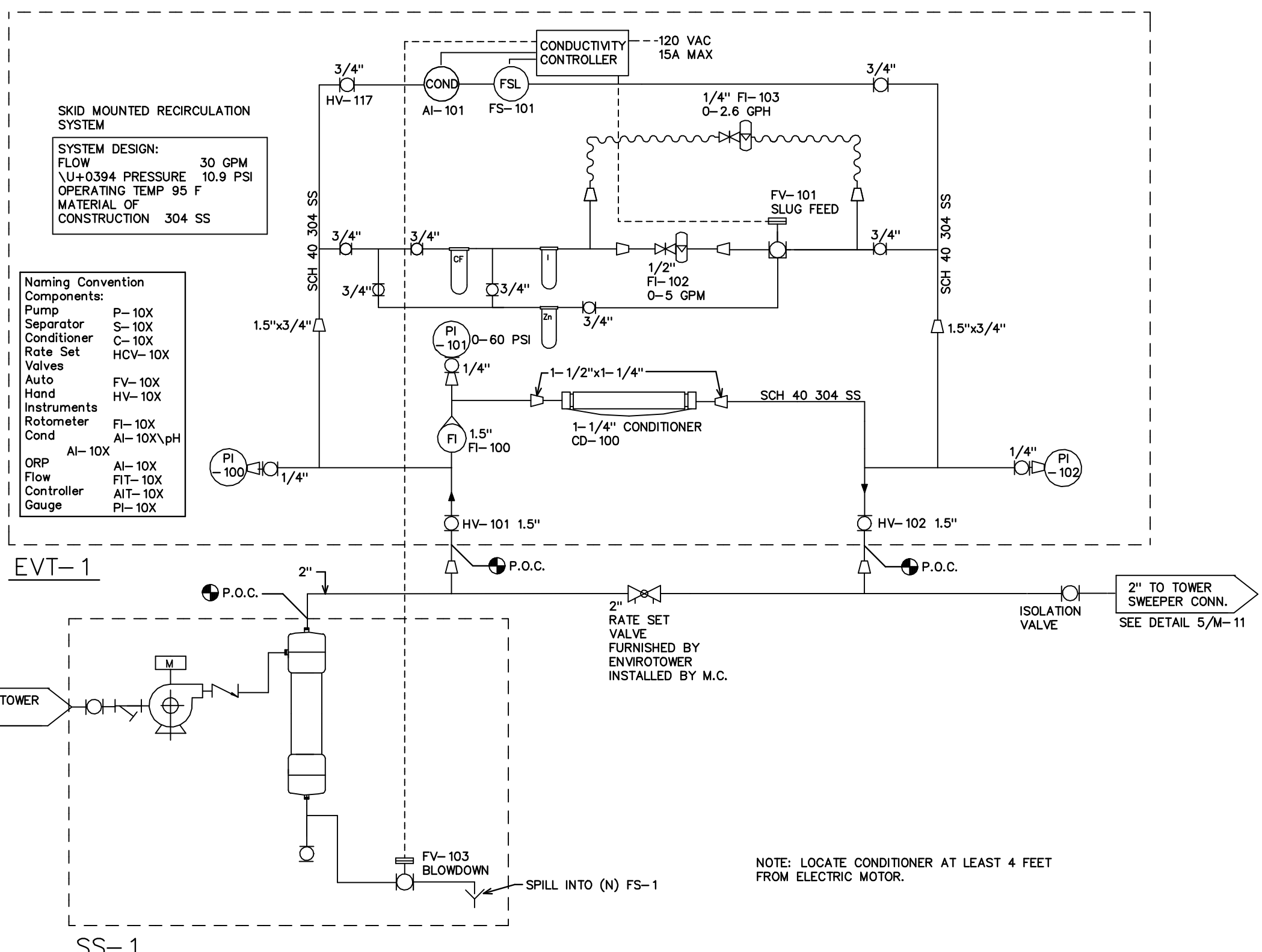
LOCATED IN MOTOR CONTROL ROOM, BASEMENT, SEE SHEET E-5



NOTE: EMS CONTROLS FURNISHED BY SEMENS. INSTALLED IN PUMP PACKAGE BY PUMP PACKAGE BUILDER. CONTROL WIRING TO BE TERMINATED IN TERMINAL BOX ON PUMP PACKAGE FOR FIELD CONNECTION TO FIELD MOUNTED CONTROLS.

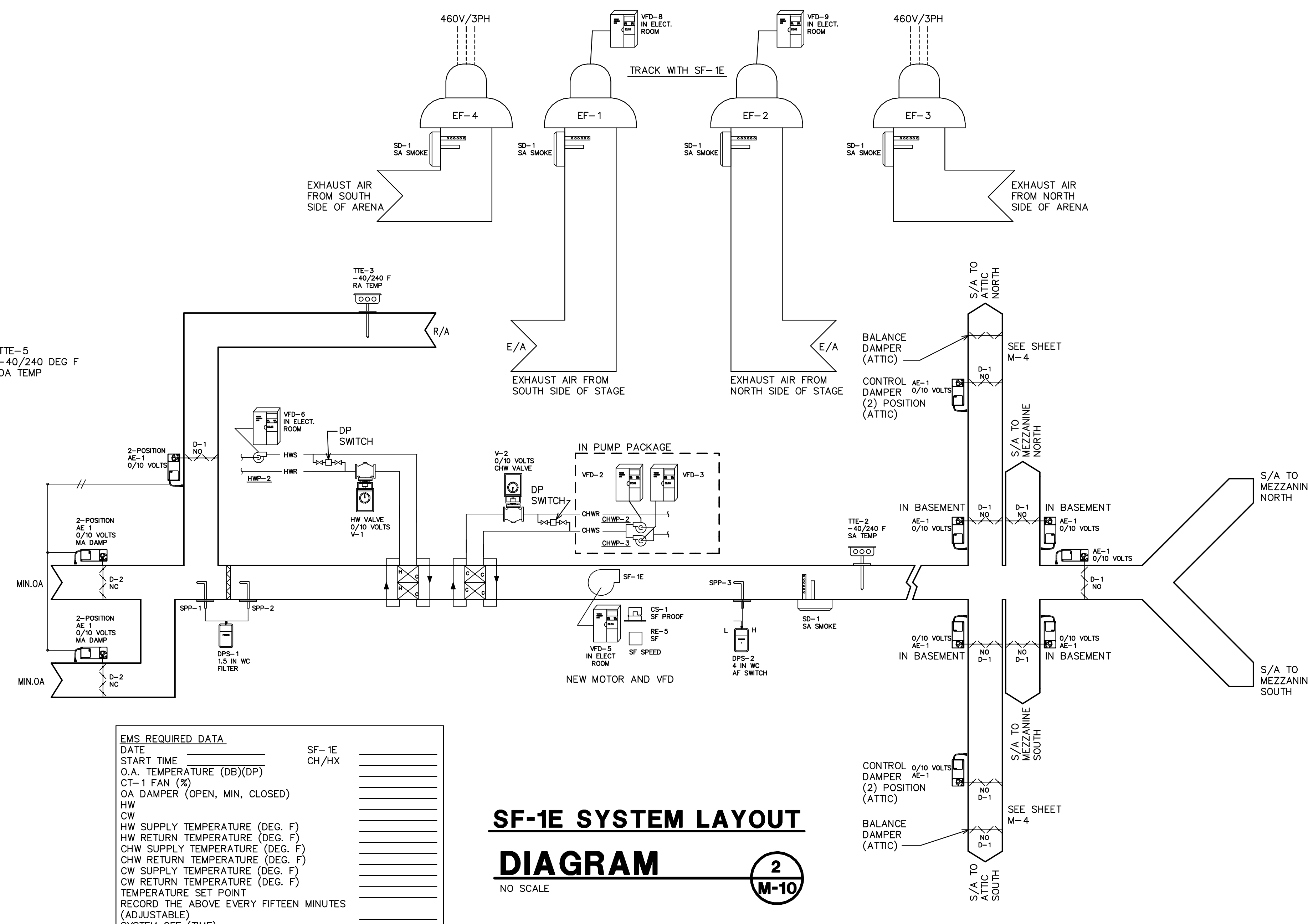
DDC SYSTEM ARCH

DIAGRAM 3
NO SCALE



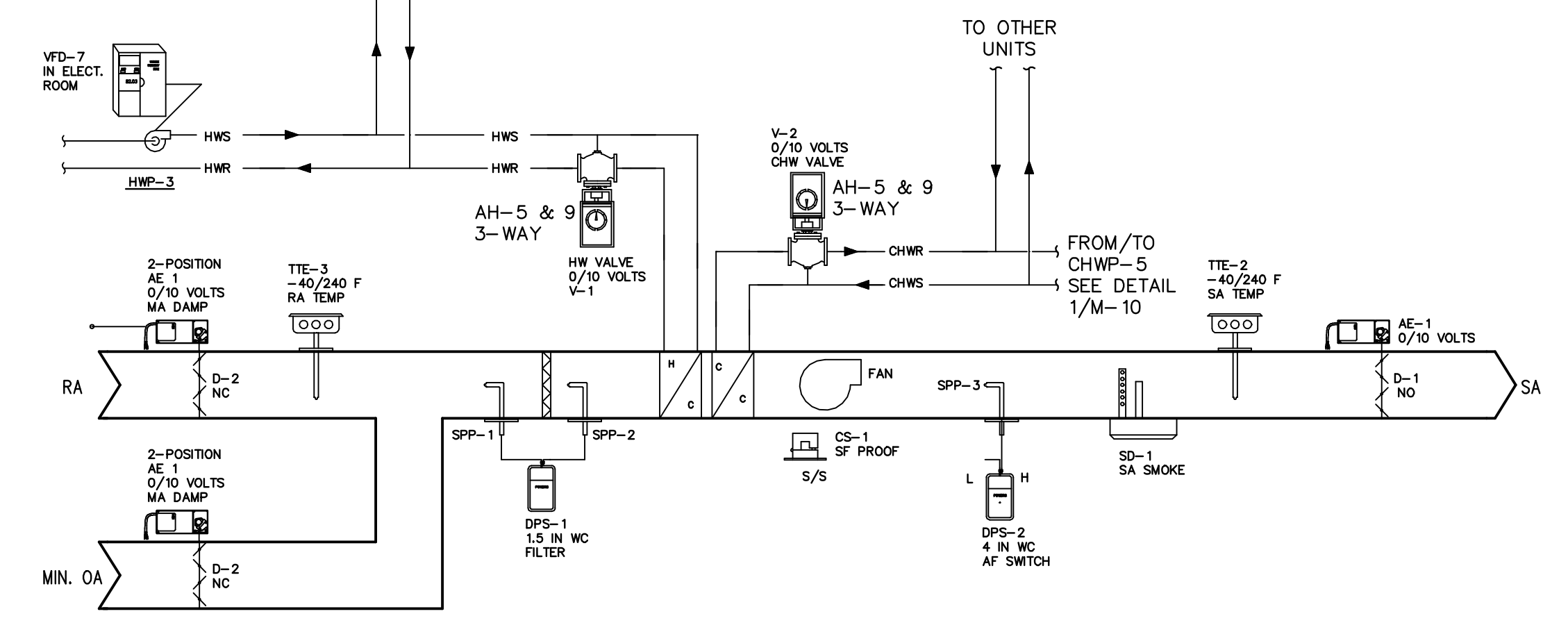
ENVIROTOWER

DETAIL 4
NO SCALE



SF-1E SYSTEM LAYOUT

DIAGRAM 2
NO SCALE



A/H UNIT CONTROL

DIAGRAM 5
NO SCALE

EMS REQUIRED DATA

DATE	AH-(), TYP. (9)
START TIME	CH/HX
O.A. TEMPERATURE (DB/DP)	
CT-1 FAN (%)	
OA DAMPER (OPEN, MIN, CLOSED)	
HW	
CW	
HW SUPPLY TEMPERATURE (DEG. F)	
HW RETURN TEMPERATURE (DEG. F)	
CHW SUPPLY TEMPERATURE (DEG. F)	
CHW RETURN TEMPERATURE (DEG. F)	
CW SUPPLY TEMPERATURE (DEG. F)	
CW RETURN TEMPERATURE (DEG. F)	
TEMPERATURE SET POINT	
RECORD THE ABOVE EVERY FIFTEEN MINUTES	
(ADJUSTABLE)	
SYSTEM OFF (TIME)	

THE ABOVE IS DISPLAYED/PRINTED BY SELECTING:
DATA TIME START-END PRINT
UNIT NO. OR SYSTEM NO.

CONFIDENTIALITY STATEMENT:
The information, plans, designs and arrangements shown on this drawing are confidential and may not be reproduced in whole or in part without express written permission of Rolfe Engineering, Inc.

ROLFE ENGINEERING, INC.
1036 W. ROBINHOOD DRIVE SUITE 201
STOCKTON, CALIFORNIA 95207
(209) 473-2859 FAX (209) 473-1312
CALIF. P.E. #21002
Copyright © 2009 Rolfe Engineering, Inc.

MEMORIAL CIVIC AUDITORIUM
A/C CONTROL DIAGRAMS

PERMIT #09-2517

REV. NO.	DESCRIPTION	DATE	BY	APRVD.	CITY OF STOCKTON
BID SET		8/27/09			
	SCALE:			APPROVED BY: DATE:	SHEET NO.
	DESIGNED BY: J.F.R.				M-10
	DRAWN BY: DAN				OF SHEETS
	CHECKED BY: J.F.R.			CITY ENGINEER	PROJECT NO.
	RECORD DWG:			STOCKTON, CALIFORNIA	09-070

FILED UNDER 2009-13
PLOT DATE: 08-17-09