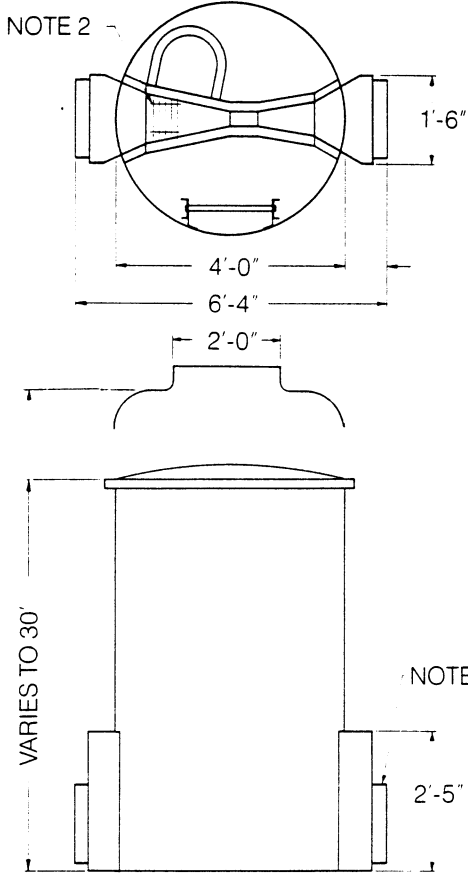
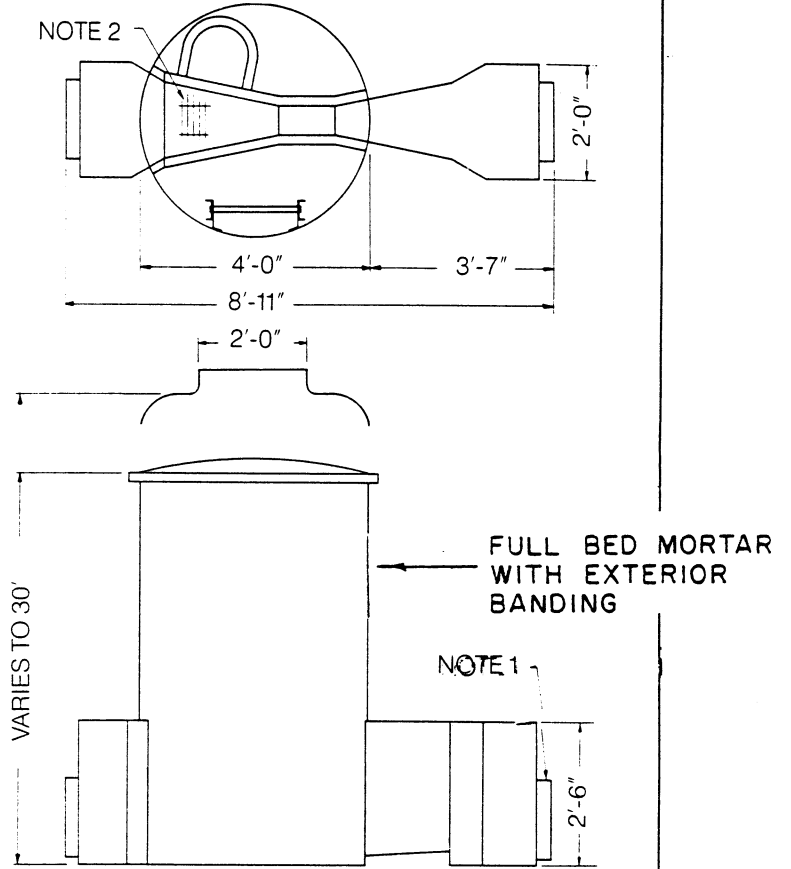


DIMENSIONS FOR PACKAGED METERING MANHOLE

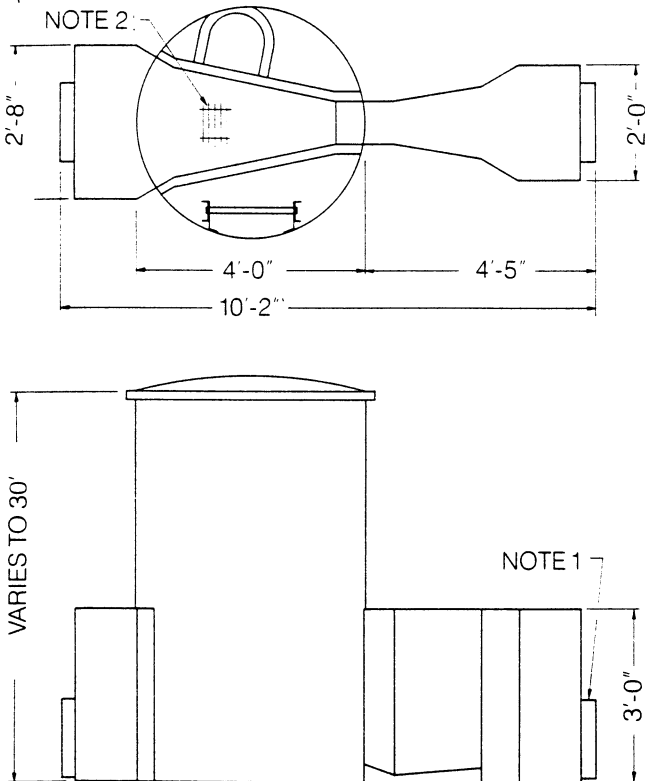
NOTE: CONFORM TO C.O.S. STANDARD DWG. 55 FOR ALL OTHER CONSTRUCTION CRITERIA NOT SPECIFIED HERE.



3" Parshall Flume



6" Parshall Flume



9" Parshall Flume

NOTE 1

Inlet and outlet sleeve size varies with connecting pipe diameter.

NOTE 2

Fiberglass grating or cover on flume optional.

NOTE 3

TRAFFIC GRADE, LOCKABLE MANHOLE COVER REQUIRED